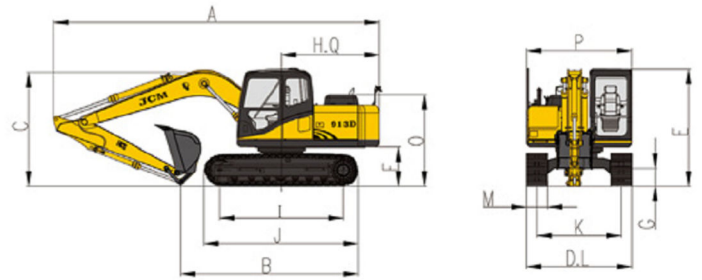




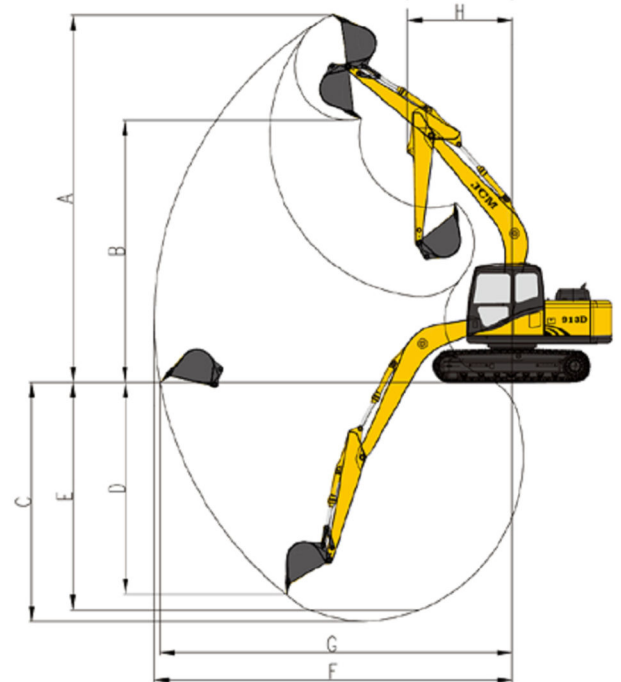
	Arm Type ( mm )	2500 mm
A	Overall length ( mm )	7718
B	Ground Contact Length(Transportation) ( mm )	4209
C	Overall height (to top of boom) ( mm )	2674
D	Overall width ( mm )	2500
E	Overall height (to top of cab) ( mm )	2752
F	Counter Weight Ground Clearance ( mm )	912
G	Ground clearance ( mm )	425
H	Tail swing radius ( mm )	2318
I	Tread ( mm )	2925
J	Track Length ( mm )	3659
K	Track Gauge ( mm )	2000
L	Track width ( mm )	2500
M	Shoe width ( mm )	500
O	Bonnet Height ( mm )	2105
P	Revolving Frame Width ( mm )	2490
Q	Distance from swivel center to tail ( mm )	2318

	Arm Type ( mm )	2500 mm
A	Max. digging depth ( mm )	8495
B	Max. dumping height ( mm )	6065
C	Max. digging height ( mm )	5537
D	MAX vertical digging depth ( mm )	4907
E	Maximum Depth Cut for 2440 m (8') Level Bottom ( mm )	5275
F	Max digging distance ( mm )	8297
G	MAX digging radius at ground level ( mm )	8168
H	Min. swing radius of work equipment ( mm )	2426

### DIMENSION



### WORKING SCOPE



長利發機械建築私人有限公司

**TIONG LEE HUAT MACHINERY & CONSTRUCTION PTE. LTD.**

6 TUAS SOUTH STREET 6, SINGAPORE 636965

OFFICE TEL: (65) 6445 8611 WORKSHOP TEL: (65) 6863 8611

FAX: (65) 6241 9778

EMAIL: [tlhmcpl@singnet.com.sg](mailto:tlhmcpl@singnet.com.sg)

WEBSITE: [www.tiongleehuat.com](http://www.tiongleehuat.com)

## PERFORMANCE

- ◉ Imported with original packing CUMMINS B3.9 series engine, Tier 2 emission, energy saving and green, convenient maintenance, adopt radial seal air cleaner and air pre-cleaner; effectively extend the engine's working time; equipped with the fuel filling pump and pressure transmitter, effectively improve the economical efficiency of the fuel.
- ◉ Imported with original packing hydraulic components; stable and reliable quality, high working efficiency and strong digging force.
- ◉ New type of cab and seat, great interiors, new type of air conditioner system could automatically adjust the wind distribution; comfortable to operate.
- ◉ Equipped with new-generation electronic control system: big color LCD, can monitor the machine at any time; be of self-diagnosis and record functions; electronic control throttle; many operating modes for your option.
- ◉ Equipped with different types of buckets, some attachments such as dozer blade, breaking hammer, ripper, electromagnetic chuck and quick hitch could be your selection; digging, landfill, crushing, leveling could be realized by one machine.
- ◉ Multi-function GPS can realize remote monitor and bidirectional data transmission, get the machine's operating information at any moment.



### Engine

Model	CUMMINS B3.9-C
Type	Water cooling, Four-cylinder in line, turbo charging, empty enter-cooling
No. of cylinder. Bore and stroke (mm)	4X102X120
Displacement (L)	3.9
Power output (kw/rpm)	86/2200



### Hydraulic System

Hydraulic pump form	Variable double-piston pump
Rated flow (L/min)	2x110
Travel circuit (Mpa)	31.9
Swing circuit (Mpa)	25.5
Control circuit (Mpa)	3.9



### Bucket

Bucket capacity (m <sup>3</sup> )	0.55
Bucket width (mm)	980



### Swing system

wing speed (r/min)	12.6
Brake	pressure release mechanical braking



### Digging Force

Arm digging force (KN)	60.8
Bucket digging force (KN)	73.5



### Operating Weight and Ground Pressure

Operating weight (Kg)	12800
Ground pressure (KPa)	39



### Travel System

Travel motors	variable axial piston motor
Travel shoes	2X44
Travel speed (km/h)	3.61/5.59
Drawbar pulling force (KN)	98
Grade ability	70%(35°)
Support roller quantities	2X7
Carrier roller quantities	2X1



### Oil Capacity

Fuel tank (L)	238
Cooling system (L)	20
Engine oil (L)	15
Hydraulic oil tank / System capacity (L)	120/208

© Groundwork Group Ltd - April 201



**長利發機械建築私人有限公司**  
**TIONG LEE HUAT MACHINERY & CONSTRUCTION PTE. LTD.**

6 TUAS SOUTH STREET 6, SINGAPORE 636965

OFFICE TEL: (65) 6445 8611 WORKSHOP TEL: (65) 6863 8611

FAX: (65) 6241 9778

EMAIL: tlhmcpl@singnet.com.sg

WEBSITE: www.tiongleehuat.com